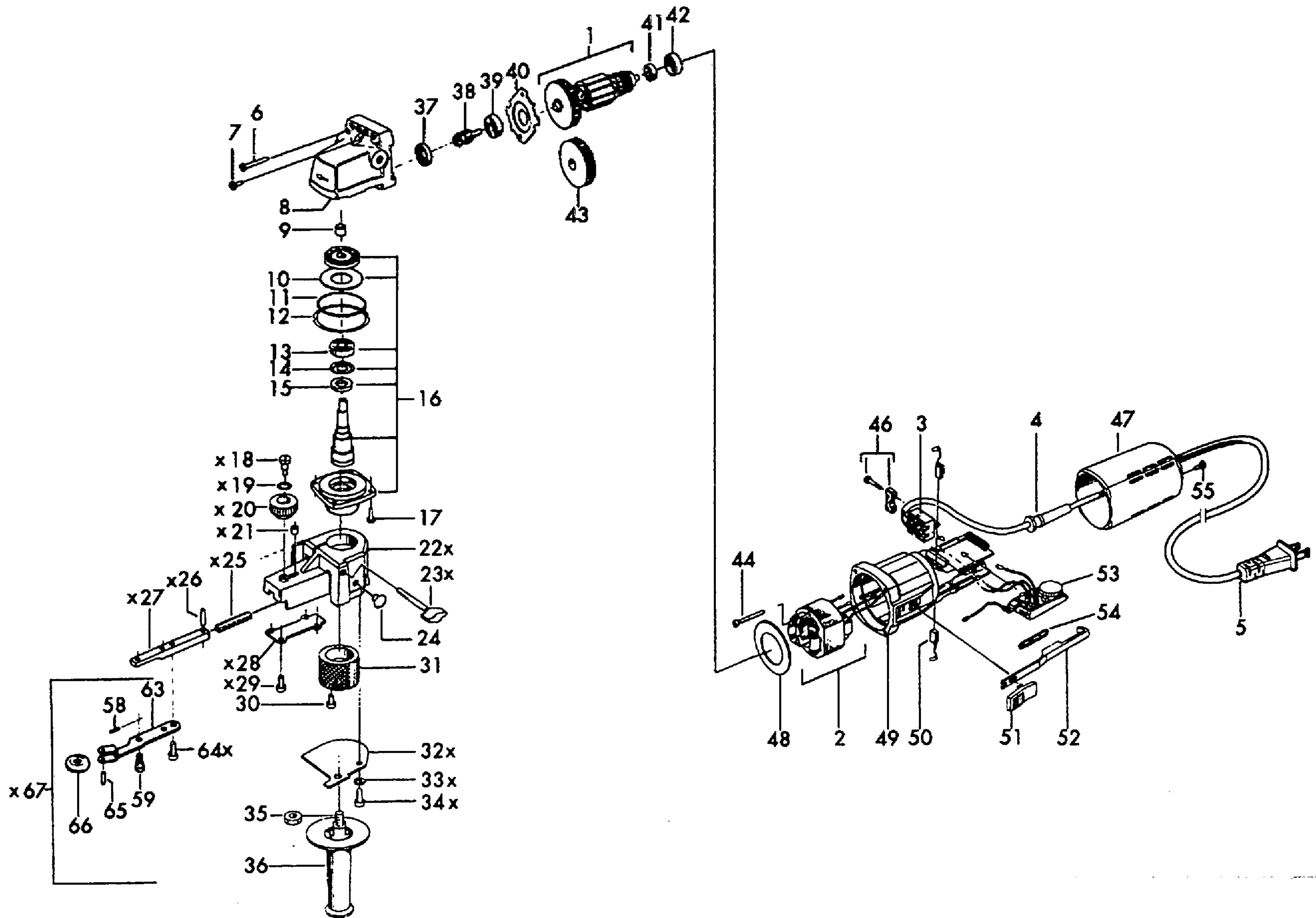


FLEX

Belt filing machine

WARNING: Electrical repairs should only be attempted by trained repairmen. Contact the nearest FLEX-Porter-Cable Service Center or other competent repair center.

LBS 1105 VE
120/USA



x 69 Filing Arm kompl.

Ref. No.	Part No.	Description	Ref. No.	Part No.	Description
1	166561	Armature	35	255334	Hex Nut
2	293075	Field	36	194034	Handle
3	195782	Switch	37	256157	Seal
4	197041	Strain Relief	38	166499	Pinion
5	218235	Cord	39	254442	Bearing
6	195693	Screw	40	154997	Bearing Cover
7	258573	Screw	41	254443	Bearing
8	271365	Gear Housing	42	209139	Magnetic Ring
9	159271	Bearing	44	196169	Screw
10	159212	Spring Washer	46	215074	Cord Clamp
11	159204	Seal	47	255410	Cover
12	257571	Washer	48	159247	Baffle
13	214884	Bearing	49	203068	Motor Housing
14	100277	Seal	50	285994	Brush
15	160512	Washer	51	211451	Button, Switch
16	254876	Gear Assy	52	195812	Control Rod
17	190330	Screw	53	216844	Electronic
18	254883	Screw	54	195820	Spring
19	254884	Crinkled Spring Washer	55	195715	Screw
20	254885	Expansion Wheel	58	255228	Pin
21	260051	Bushing	59	254892	Screw
22	258322	Housing	63	256526	Grinding Arm
23	254900	T-Screw	64	254888	Screw
24	255982	Cap	65	256527	Pin
25	254881	Compression Spring	66	256528	Press. Roller
26	254898	Pin	67	256525	Filing Arm
27	254886	Square Guide	69	254.894	Filing Arm kompl.
28	254890	Cover Guide Square	**	255691	Grease
29	254891	Screw			
30	254891	Screw			
31	254887	Driving roll			
32	258324	Housing Cover			
33	244481	Spring Washer			
34	254888	Screw	**		NOT SHOWN