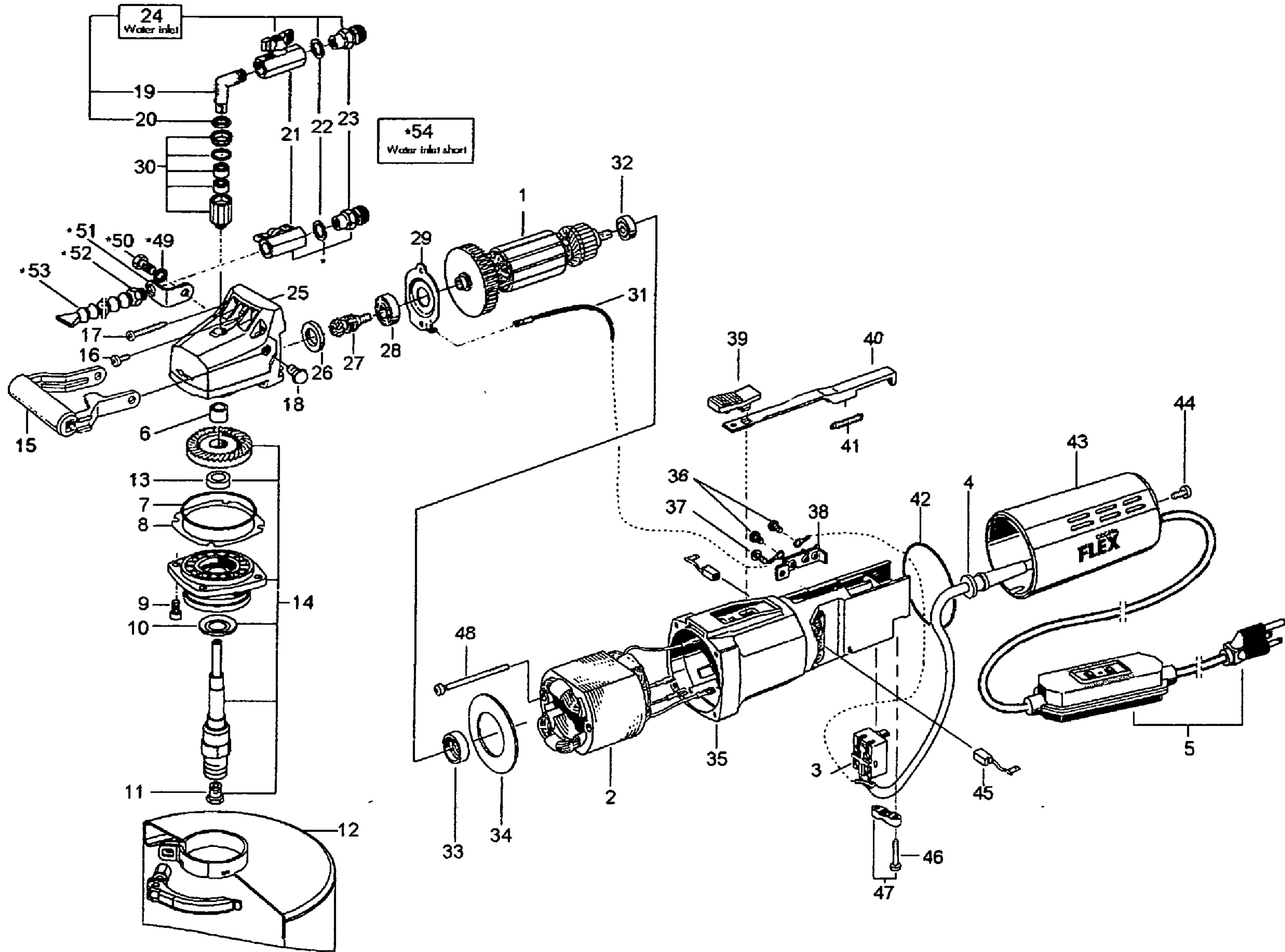


FLEX

WET GRINDER

WARNING: Electrical repairs should only be attempted by trained repairmen. Contact the nearest Authorized Service Station.

LW1509
120/USA



Ref. No.	Part No.	Description	Ref. No.	Part No.	Description
1	241334	Armature	32	254.443	Bearing
2	293067	Field	33	209.139	Bearing Ring
3	258757	Switch	34	159.247	Air Guide
4	218294	Cable Clamp	35	254.379	Motor Housing
5	290521	Cord	36	258.573	Screw
6	199141	Bearing	37	195.715	Screw
7	159204	O-Ring	38	280.259	Plate
8	257571	Washer	39	211.451	Control Lever
9	257782	Screw	40	225.304	Switch Rod
10	268011	Seal	41	195.820	Spring
11	293105	Nozzle	42	159.204	O-Ring
12	289183	Splash Guard	43	334.782	Cover
13	264.466	Pin	44	195.715	Screw
14	289167	Gear Shaft Assembl.	45	250.816	Brush
15	236934	Handle	46	213.373	Screw
16	258573	Screw	47	292.923	Cable Clamp
17	195693	Screw	48	225.347	Screw
18	244155	Screw	49	293725	Washer
19	251647	Bracket	50	239356	Screw
20	291862	Hex Nut	51	252398	Holder For Water Feed
21	251646	Ball Valve	52	256843	Coupling
22	251648	Sealing	53	252399	Water Feed Flexible
23	251650	Connector	54	252407	Water Inlet Short
24	292168	Water Inlet			
25	276634	Gear Housing			
26	256157	Bushing			
27	255940	Pinion			
28	254442	Bearing	**	255691	Grease
29	256182	Bearing Cover			
30	291811	Bushing			
31	290513	Wire	**		NOT SHOWN