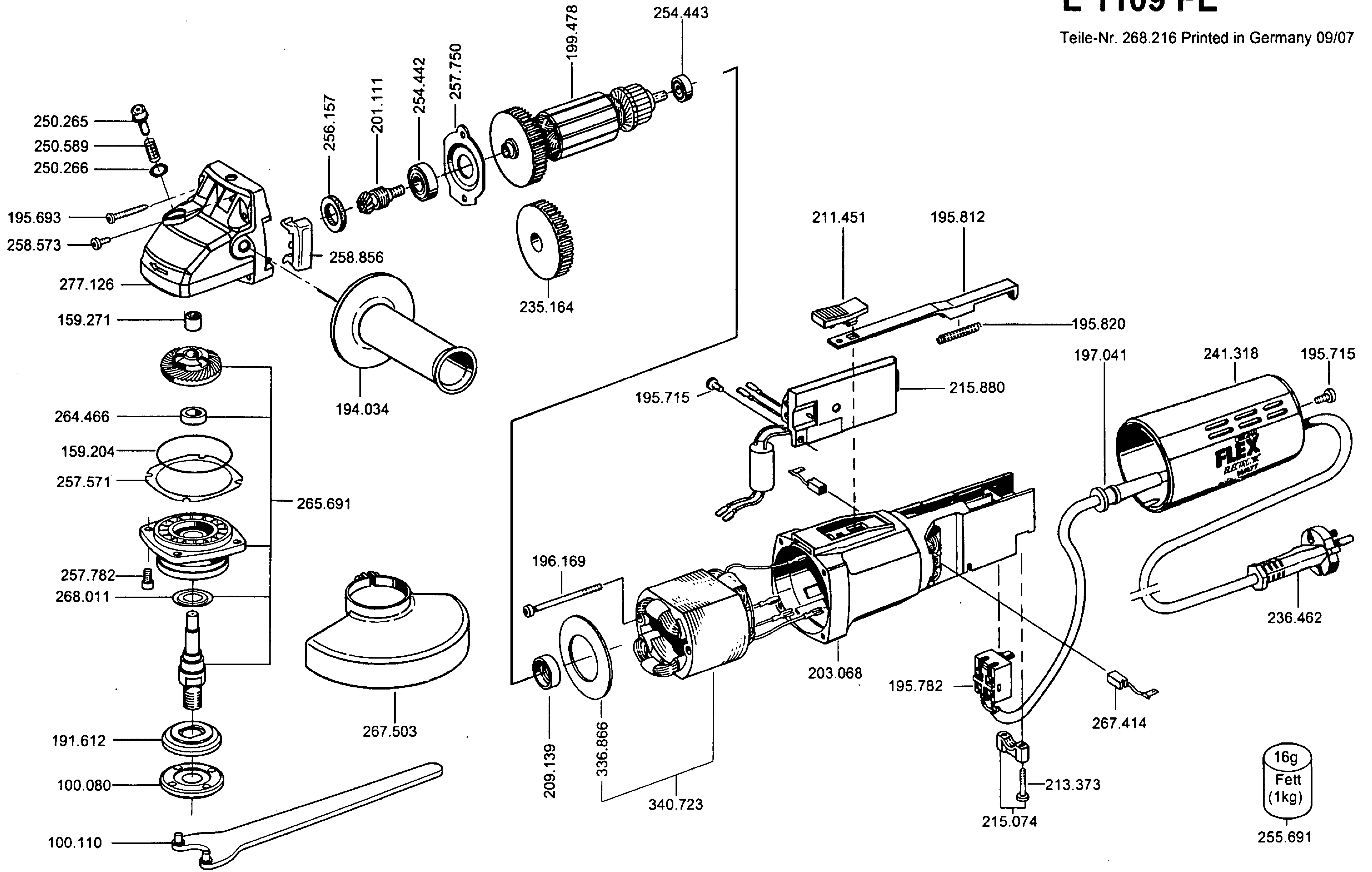


# L 1109 FE

Teile-Nr. 268.216 Printed in Germany 09/07



16g  
Fett  
(1kg)  
255.691