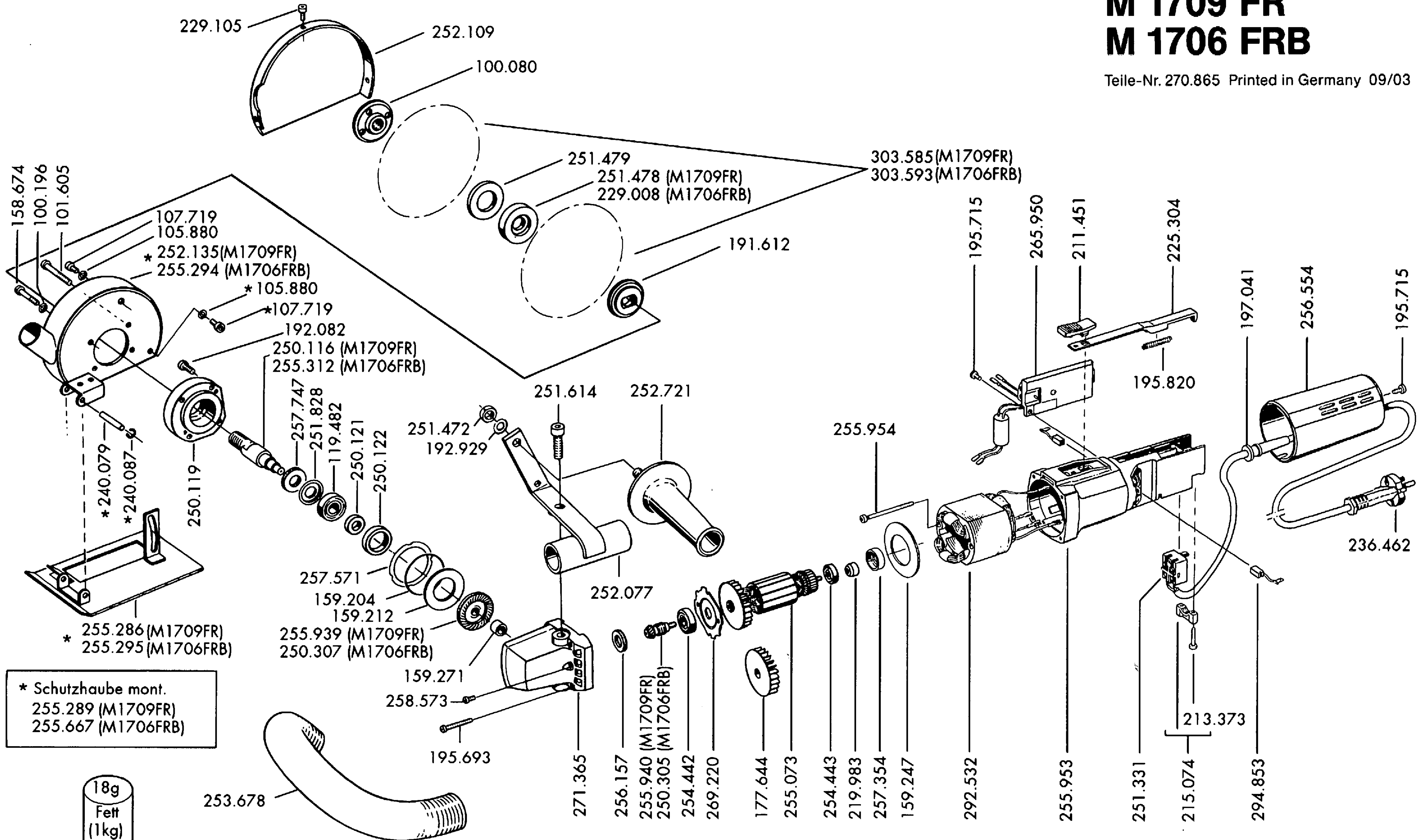
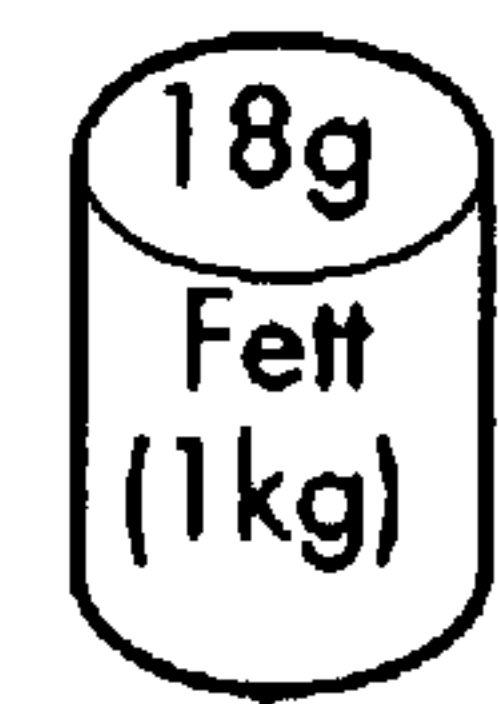


# M 1709 FR M 1706 FRB

Teile-Nr. 270.865 Printed in Germany 09/03



\* Schutzhaube mont.  
255.289 (M1709FR)  
255.667 (M1706FRB)



255.691

253.678

158.674  
100.196  
101.605

107.719  
105.880  
\* 252.135 (M1709FR)  
255.294 (M1706FRB)

\* 105.880  
\* 107.719  
192.082

250.116 (M1709FR)  
255.312 (M1706FRB)

257.747  
251.828  
119.482  
250.121  
250.122

257.571  
159.204  
159.212  
255.939 (M1709FR)  
250.307 (M1706FRB)

159.271  
258.573

195.693

251.614

252.721

252.077

271.365  
256.157  
255.940 (M1709FR)  
250.305 (M1706FRB)  
254.442  
269.220

177.644  
255.073

254.443  
219.983  
257.354  
159.247

292.532

255.953

251.331

213.373  
215.074

294.853

303.585 (M1709FR)  
303.593 (M1706FRB)

251.479  
251.478 (M1709FR)  
229.008 (M1706FRB)

191.612

195.715

265.950

211.451

225.304

195.820

197.041

256.554

195.715

236.462